
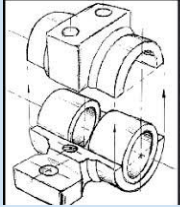



Enquiry question: How can we build a bridge that is strong enough to hold 100 pennies?

Key People and Events

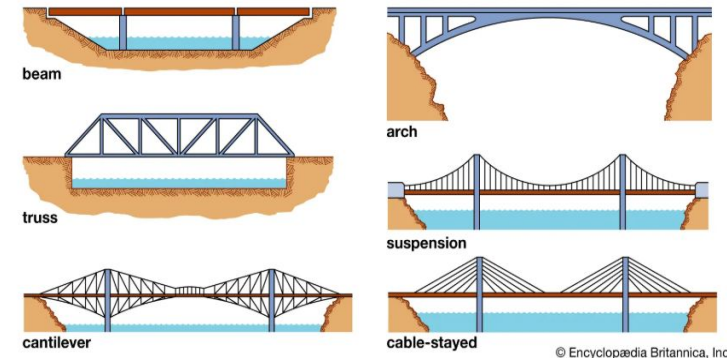
Zaha Hadid	Zaha Hadid designed bridges that looked modern and flowing, almost like pieces of art. One of her famous bridges is the Sheikh Zayed Bridge in Abu Dhabi, which curves like waves.
Faith Wong	An engineer who has worked on innovative bridge projects in Asia, focusing on safe and sustainable designs.
Milenka Karanović	She is known for designing and engineering bridges in Europe, including ones that balance beauty with strength.
Santiago Calatrava	He designs bridges that look like birds, wings, or sails, such as the Peace Bridge in Calgary, Canada.
Significant bridges	Tower Bridge, England, opened 1894. Golden Gate Bridge, USA, opened 1937.

Key Knowledge and Skills

Glueing	
Assembling	
Strengthen	

Key Vocabulary

Word	Definition
suspension	A bridge that hangs from strong cables.
cable-stayed	A bridge held up by straight cables attached to tall towers.
arch	A bridge with a curved arch underneath that holds it up.
cantilever	A bridge that sticks out on both sides and meets in the middle, like giant arms reaching out.
beam	The simplest type of bridge, just a flat plank or beam across two supports.
truss	A bridge made of triangles joined together to make it strong.



Purpose of Bridges

Bridges were built to overcome natural obstacles.

Bridges were used to make travel easier, safer and to trade.